

Fire/Smoke Damper

Class II · 250°F · 1½ Hr Fire/Smoke Damper / 1 Hr Tunnel-Type Corridor Ceiling Damper

TG2C

STANDARD MATERIALS AND CONSTRUCTION

- FRAME:** 5½" x 7⁄8" x 16-GA galvanized steel hat channel
- BLADES:** 16-GA galvanized steel; parallel action
- AXLES:** Plated Solid Steel Stub
- BEARINGS:** Oil impregnated bronze
- LINKAGE:** Plated steel angle and crank plates with stainless steel pivots, in-jamb type
- STOPS:** 20-GA galvanized steel at head and sill
- BLADE SEALS:** Silicone
- JAMB SEALS:** Stainless steel
- SLEEVE:** 20-GA unflanged; 16" deep
- CAULKING:** UL approved
- ACTUATOR:** Electric with heat response device (EHRD); factory-installed for Power-Open/Spring-Close (fail close) operation; Internal left hand mounted as viewed for jackshaft side of damper; dampers ≤ 13" high external left hand mounted
- FINISH:** Mill

OPTIONS

- Sleeve of various depths and gauges with ¾" flange on bottom side
- Round or oval transitions (top and bottom for unflanged sleeves; top only for flanged sleeves)
- 212°F fusible link
- Perimeter mounting angles
- External mounted actuator
- Sensotherm re-openable heat response device (ESOT) for electric actuator


NOTES


1. "A" width and "B" height are opening dimensions. Dampers are provided approximately ¼" undersize.
2. When used as a 1½ hour Fire/Smoke Damper it is approved to be mounted either vertically (wall or partitions) or horizontally (floors).

DAMPER SIZES


Orientation	Horizontal (floor) or Vertical (wall)		
	Minimum Panel	Maximum Panel	Max Assy Panel
Rectangular	6"W x 6"H (8"W x 8"H frame)	24"W x 24"H	n/a
Round	6" dia. (8"W x 8"H frame)	22" dia.	n/a
Oval	6"W x 6"H (8"W x 8"H frame)	22"W x 22"H	n/a


UNDERWRITERS LABORATORIES INC.®
 CLASSIFIED CORRIDOR DAMPER
 FIRE RESISTANCE RATING 1 HR
 ALSO AS TO LEAKAGE RESISTANCE
 CLASS II 250°F



FILE #R6462 

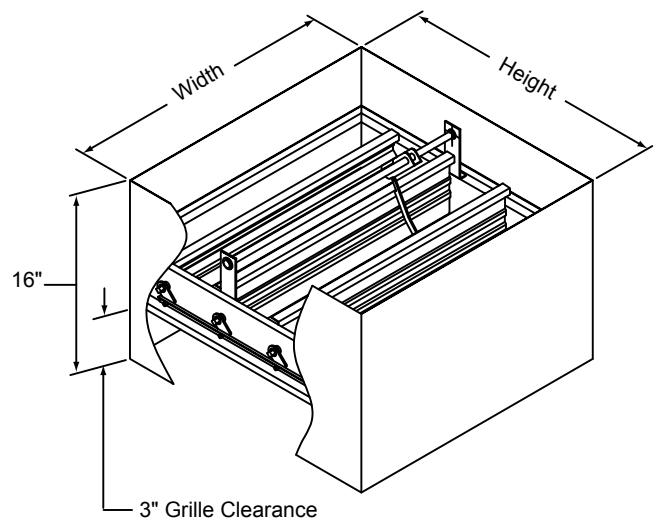
UNDERWRITERS LABORATORIES INC.®
 CLASSIFIED FIRE AND SMOKE DAMPER
 FIRE RESISTANCE RATING 1½ HR
 LEAKAGE RESISTANCE CLASS II



FILE #R6462 

This fire/smoke damper meets the construction and performance requirements of

- Underwriters Laboratories Inc. Standards 555 and 555S
- National Fire Protection Association Standards 80 and 90A
- ICC's International Building Code
- California State Fire Marshal Listing #3226-1328:116
- Underwriters Laboratories Inc. Approved for dual direction airflow and dynamic conditions.
- Underwriters Laboratories Inc. Classified for use in fire resistive ratings of less than 3 hours.
- Underwriters Laboratories Inc. Classified for use in smoke control systems for Leakage Class II and 250°F.
- Actuators must be arranged to operate automatically, must fail closed upon loss of power, and must be controlled by a smoke detection system.



Fire/Smoke Damper

Class II · 250°F · 1½ Hr Fire/Smoke Damper / 1 Hr Tunnel-Type Corridor Ceiling Damper

TG2C

Operations Rating:

Maximum Differential Pressure: 4 in.wg
 Maximum Face Velocity: 2000 fpm

Leakage Rating:

UL Class II
 10 cfm per sq.ft. maximum @ 1 in.wg
 20 cfm per sq.ft. maximum @ 4 in.wg

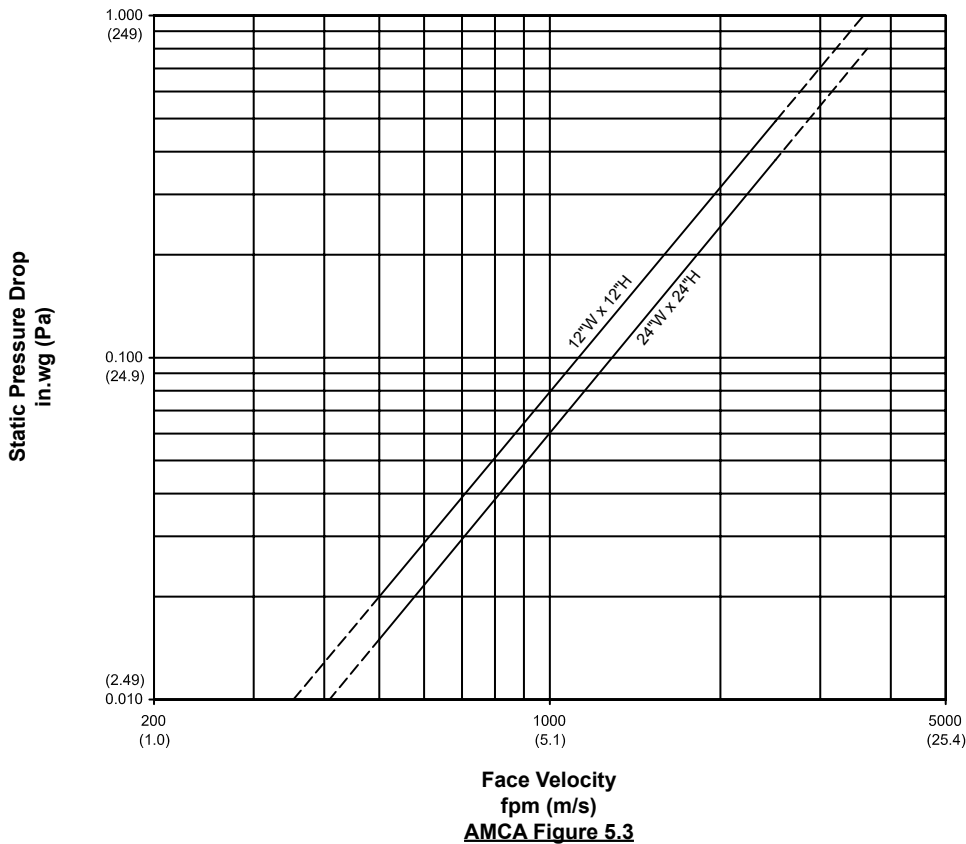
Sound Ratings:

The Noise Criterion data below was tested in accordance with ASTM E477.99 in the center octave band.

Noise Criterion (NC)				
Damper Size	Velocity (fpm)			
	1000	2000	3000	4000
12"W x 12"H	31	53	64	71
24"W x 24"H	33	54	65	n/a

Pressure Drop Ratings:

The pressure drop data shown below is based on laboratory conditions. The test setup does not take into account elbows or other duct fittings that are part of every actual duct system. The configuration of the actual duct system immediately upstream and downstream of the damper often contributes more pressure loss than the damper itself.



This product was tested in accordance to AMCA Standard 500D.

